


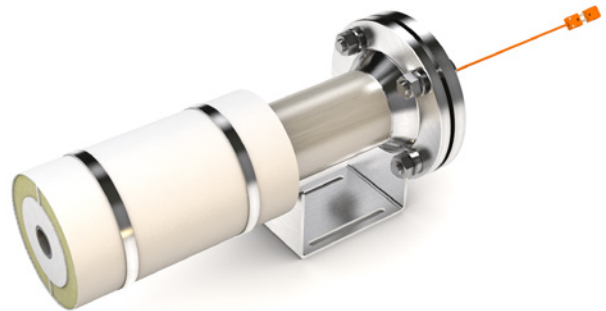
KANTHAL® FLOW HEATER KFH2-11-400 HEATING GASES UP TO 1100°C

TECHNICAL SPECIFICATION

SPECIFICATIONS

GENERAL

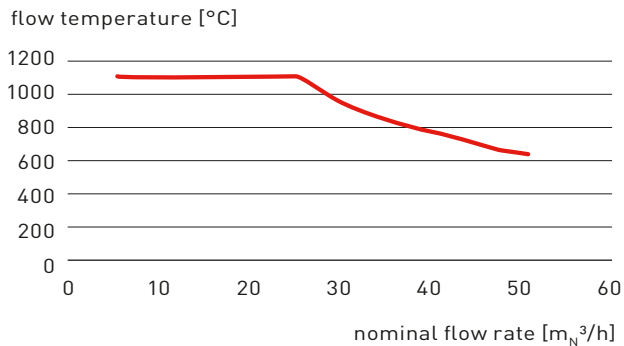
| | | | |
|--|----------------------------------|--|--|
| Model | KFH2-11-400 | | |
| Article Number | DFH100205 / DFH100206 | | |
| Directive | Low Voltage Directive 2014/35/EU | | |
|  European Community | DIN EN 60519-1 | | |
| | DIN EN-60335-1 | | |
| Usage ambient temperature | 0...40 °C | | |
| | 32...104 °F | | |



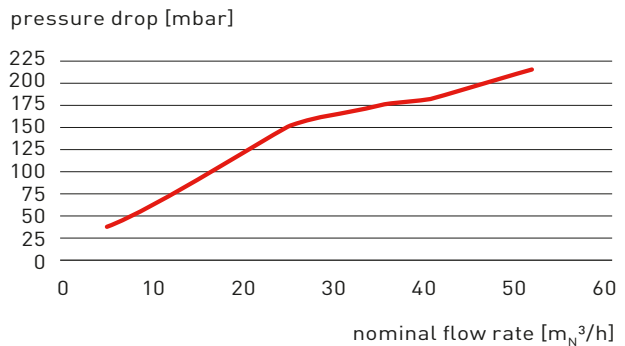
FLOW AND HEAT DETAILS

| | | | |
|--------------------------------------|------------------|-------------|---------------------|
| Gases and max. outlet temperature | Air (dry, clean) | 1100 °C | 2012 °F |
| | Nitrogen | 1000 °C | 1832 °F |
| | Argon | 900 °C | 1652 °F |
| Maximum inlet temperature | | 50 °C | 122 °F |
| Nominal flow rate [air] | 30 kg/h | 25 m³/h | 417 slm 14.7 cfm |
| Minimum flow rate [air] | 6 kg/h | 5 m³/h | 83 slm 3 cfm |
| Maximum flow rate [air] | 60 kg/h | 50 m³/h | 834 slm 29.4 cfm |
| Pressure drop (at nominal flow rate) | 16 kPas | 155 mbar | 2.3 psi |
| Maximum operating pressure | 150 kPas abs | 1.5 bar abs | 22 psi abs |


OUTLET TEMPERATURE IN CLEAN AIR

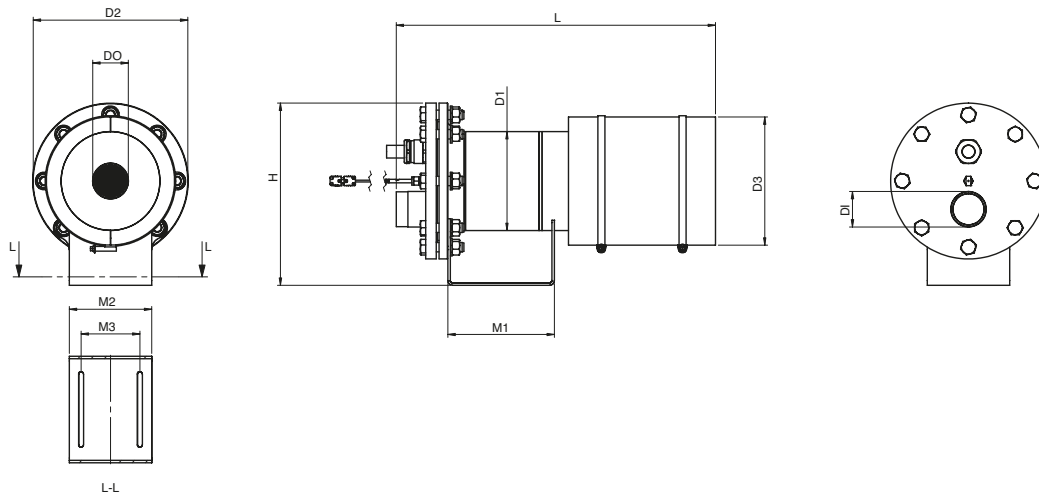


PRESSURE DROP IN CLEAN AIR



ELECTRICAL DETAILS

| | | |
|---------------------------|---|-------|
| Nominal Voltage supply | 400 V | 3L |
| Nominal Line Current | 16 A | |
| Nominal Power | 11 kW | |
| Power Cable | 4G2.5 mm ² | 2.5 m |
| Recommended Power Control | PID control with fast reaction parameter settings and thyristor switch | |
| Protection Class |  | 1 |
| Type of load | Ohmic | |
| Thermocouple | Type S, miniature connector 2-pole | |



MECHANICAL DETAILS

| | L | H | D1 | D2 | D3 | M1 | M2 | M3 |
|-------------|-------------------------|--------|---------|-------------|--------|--------|--------|-------|
| Dimensions | 495 mm | 220 mm | 88.9 mm | 190 mm | 140 mm | 151 mm | 100 mm | 75 mm |
| Flow Inlet | R3/4" (external thread) | | | D1 Ø26.9 mm | | | | |
| Flow Outlet | 1" | | | DO Ø33.4 mm | | | | |
| Weight | 14.2 kg | | | | | | | |

SPARE PARTS

| DESCRIPTION | ARTICLE NUMBER |
|----------------------------|----------------|
| Insulation set with clamps | DFH400096 |
| Nozzle Insulation | DFH400094 |