


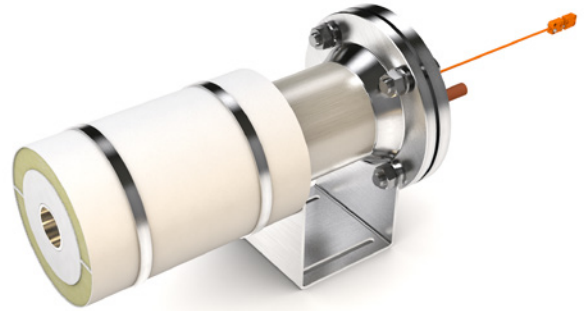
KANTHAL® FLOW HEATER KFH2-60-480 HEATING GASES UP TO 1100°C

TECHNICAL SPECIFICATION

SPECIFICATIONS

GENERAL

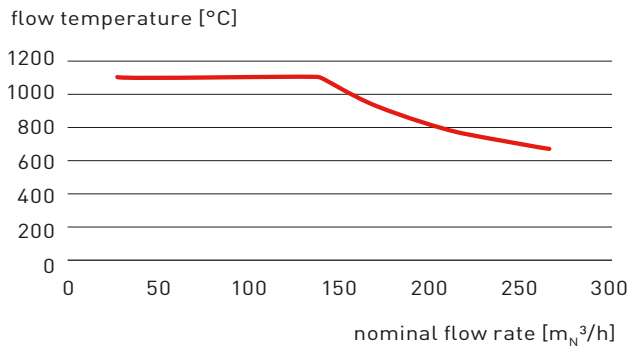
Model	KFH2-60-480		
Article Number	DFH100707 / DFH100708		
Directive	Low Voltage Directive 2014/35/EU		
 European Community	DIN EN 60519-1		
	DIN EN 60335-1		
Usage ambient temperature	0...40 °C		
	32...104 °F		



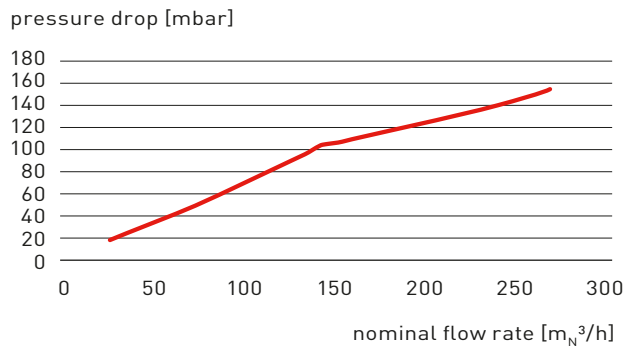
FLOW AND HEAT DETAILS

Gases and max. outlet temperature	Air (dry, clean)	1100 °C	2012 °F
	Nitrogen	1000 °C	1832 °F
	Argon	900 °C	1652 °F
Maximum inlet temperature		50 °C	122 °F
Nominal flow rate [air]	162 kg/h	135 m³/h	2250 slm 80 cfm
Minimum flow rate [air]	32.4 kg/h	27 m³/h	450 slm 15.5 cfm
Maximum flow rate [air]	324 kg/h	270 m³/h	4500 slm 155 cfm
Pressure drop (at nominal flow rate)	10.0 kPas	100 mbar	1.5 psi
Design operating pressure	150 kPas abs	1.5 bar abs	22 psi abs


OUTLET TEMPERATURE IN CLEAN AIR

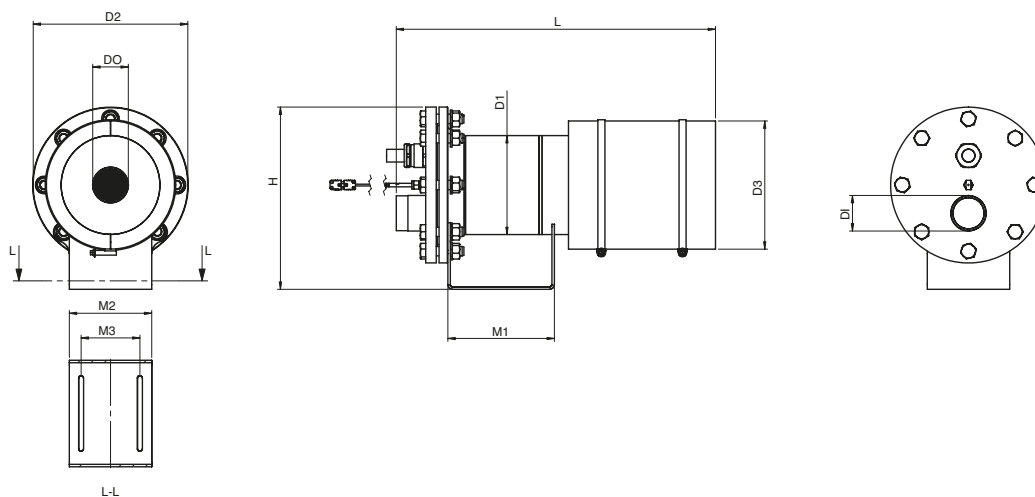


PRESSURE DROP IN CLEAN AIR



ELECTRICAL DETAILS

Nominal Voltage supply	480 V 50-60 Hz	3L+PE
Nominal Line Current	72 A	
Nominal Power	60 kW	
Power Cable	3 x 25 mm ² + 1 x G 16 mm ²	2.5 m
Recommended Power Control	PID control with fast reaction parameter settings and thyristor switch	
Protection Class		1
Type of load	Ohmic	
Thermocouple	Type S, miniature connector 2-pole	



MECHANICAL DETAILS

	L	H	D1	D2	D3	M1	M2	M3
Dimensions	622 mm	364 mm	219.1 mm	320 mm	269 mm	212 mm	230 mm	125 mm
Flow Inlet (threaded)	R3" (external thread)		D1 Ø88.9 mm					
Flow Outlet	3"		D0 Ø88.9 mm					
Weight	61 kg							

SPARE PARTS

DESCRIPTION	ARTICLE NUMBER
Insulation set with clamps	DFH400224
Nozzle Insulation	DFH400216