


KANTHAL® FLOW HEATER KFH2-11-400 HEATING GASES UP TO 1100°C

TECHNICAL SPECIFICATION

SPECIFICATIONS

GENERAL

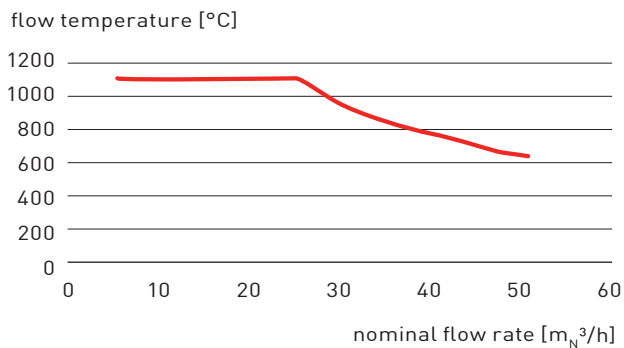
Model	KFH2-11-400		
Article Number	DFH100205 / DFH100206		
Directive	Low Voltage Directive 2014/35/EU		
 European Community	DIN EN 60519-1		
	DIN EN-60335-1		
Usage ambient temperature	0...40 °C		
	32...104 °F		



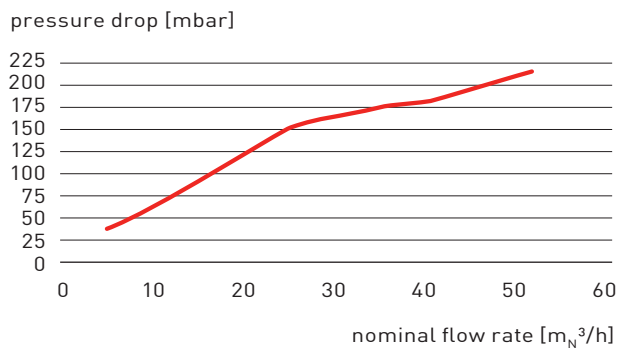
FLOW AND HEAT DETAILS

Gases and max. outlet temperature	Air (dry, clean)	1100 °C	2012 °F
	Nitrogen	1000 °C	1832 °F
	Argon	900 °C	1652 °F
Maximum inlet temperature		50 °C	122 °F
Nominal flow rate [air]	30 kg/h	25 m³/h	417 slm 14.7 cfm
Minimum flow rate [air]	6 kg/h	5 m³/h	84 slm 3 cfm
Maximum flow rate [air]	60 kg/h	50 m³/h	834 slm 29.4 cfm
Pressure drop (at nominal flow rate)	16 kPas	155 mbar	2.3 psi
Maximum operating pressure	150 kPas abs	1.5 bar abs	22 psi abs


OUTLET TEMPERATURE IN CLEAN AIR

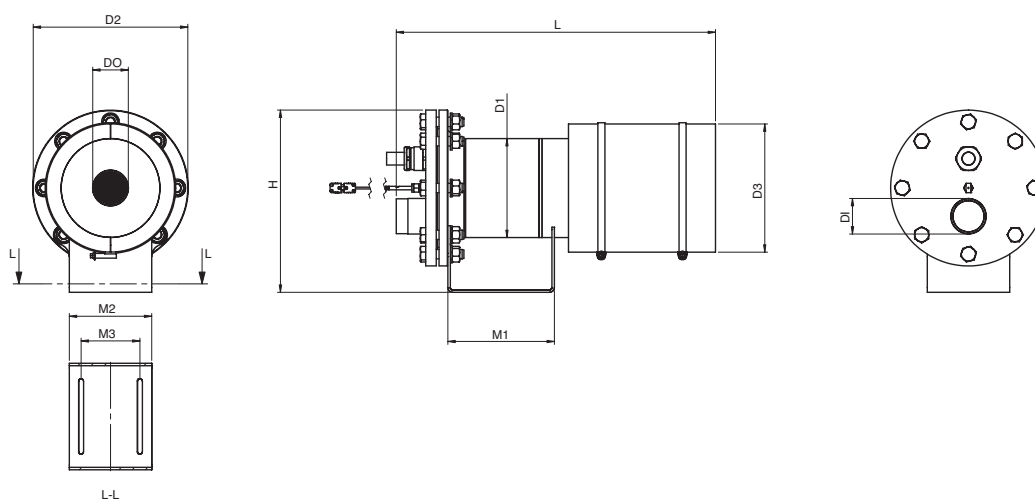


PRESSURE DROP IN CLEAN AIR



ELECTRICAL DETAILS

Nominal Voltage supply	400 V	3L
Nominal Line Current	16 A	
Nominal Power	11 kW	
Power Cable	4G2.5 mm ²	2.5 m
Recommended Power Control	PID control with fast reaction parameter settings and thyristor switch	
Protection Class		1
Type of load	Ohmic	
Thermocouple	Type S, miniature connector 2-pole	



MECHANICAL DETAILS

	L	H	D1	D2	D3	M1	M2	M3
Dimensions	495 mm	220 mm	88.9 mm	190 mm	140 mm	151 mm	100 mm	75 mm
Flow Inlet	R3/4" (external thread)			D1 Ø26.9 mm				
Flow Outlet	1"			DO Ø33.4 mm				
Weight	14.2 kg							

SPARE PARTS

DESCRIPTION	ARTICLE NUMBER
Insulation set with clamps	DFH400096
Nozzle Insulation	DFH400094